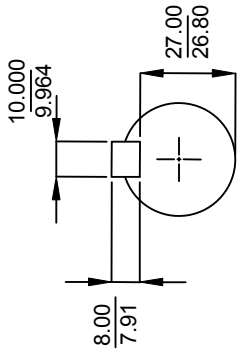


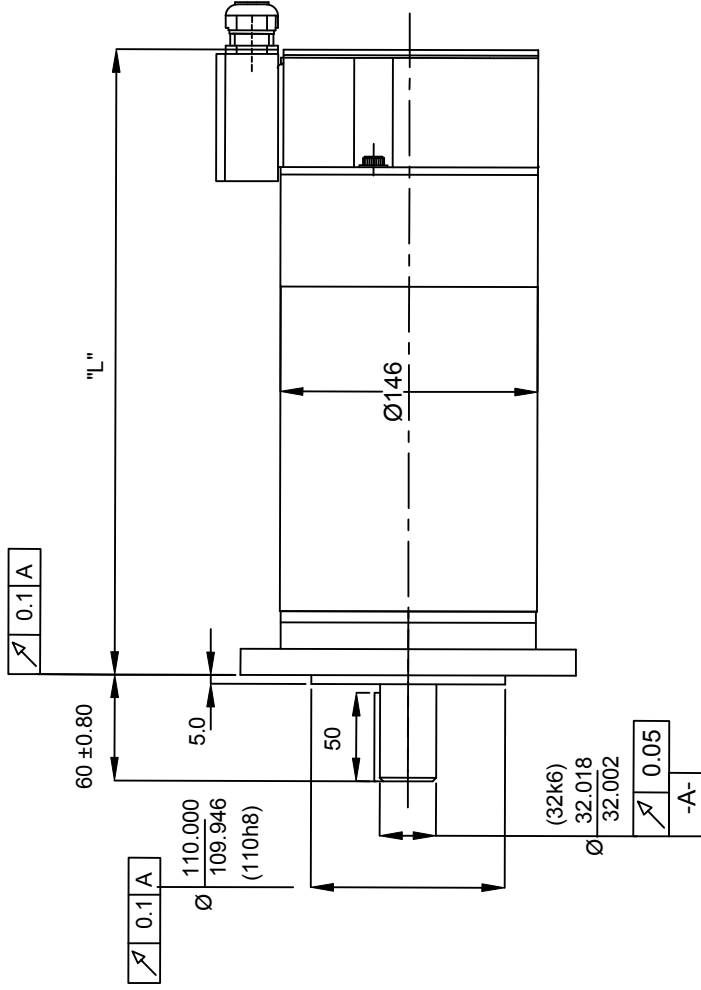
M4-420X DC Replacements

for SEM MT52 servomotors

Original Part Number	Our Replacement
MT52K8-87	M4-4203 F
MT52K8-62	M4-4203 E
MT52K8-50	M4-4203 K
MT52K8-37	M4-4203 J
MT52V8-87	M4-4205 A
MT52V8-69	M4-4205 B
MT52V8-50	M4-4205 M
MT52V8-37	M4-4205 D
MT52ZF8-86	Contact INMOCO
MT52ZR8-92	Contact INMOCO
DBMT52ZF8-86	Contact INMOCO
DBMT52ZR8-92	Contact INMOCO

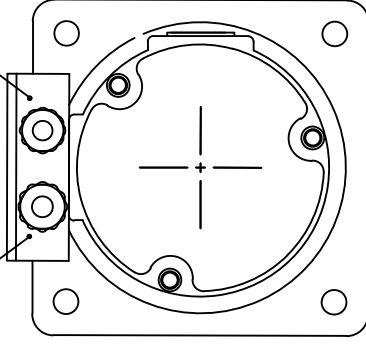


Key & Keyway Detail



M20 Cable Gland

M25 Cable Gland



Motor Type	Length "L"
M4-4204	322
M4-4205	347

(4) Holes, Ø 14 thru' equispaced as shown on Ø 215 PCD

Notes:-

1. With a positive current applied to positive motor terminal A1 respect to terminal A2, rotation shall be clockwise facing mounting end of motor.
With this rotation a positive voltage shall be generated on terminal T1 of tach with respect to terminal T2.
(Wiring diagram inside Terminal Box)
2. Motor can be mounted in any position
3. Thermostat set to open at $90^{\circ}\text{C} \pm 6^{\circ}\text{C}$ & close at $70^{\circ} \pm 6^{\circ}\text{C}$ falling.
N.C. contacts rated to 3.0 Amps, 250V. AC., (2) Yellow leads
4. All dimensions in mm.

Scale :	NTS	Weight :	SEE NOTES Remove all burrs and sharp corners
	Material :		
Tolerances.	X.X = ± 0.3	Date	Name
	X.XX = ± 0.1	13/3/13	POB
Ang. Dim.	$\pm 1^{\circ}$	Issue	ECO. No.
		Date	Name
		App'd	Norm
		App'd	Norm